

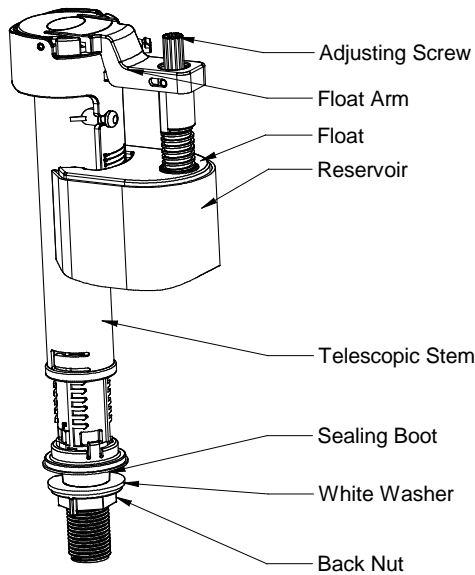
INSTALLATION INSTRUCTIONS FOR FILL MASTER INLET VALVE

1

Fill Master:

Assembly & Parts list.

Working pressure up to 14 Bar.



2

Insert valve into cistern with sealing boot on the inside of the cistern.

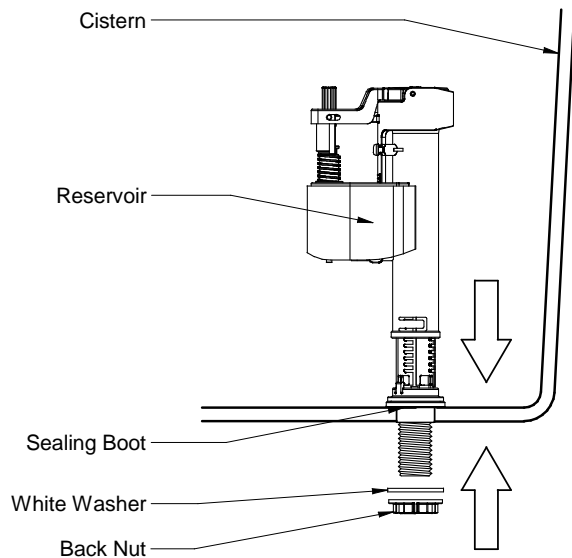
Do not use putty.

Position valve, ensuring the reservoir is not in contact with the cistern and is able to move freely.

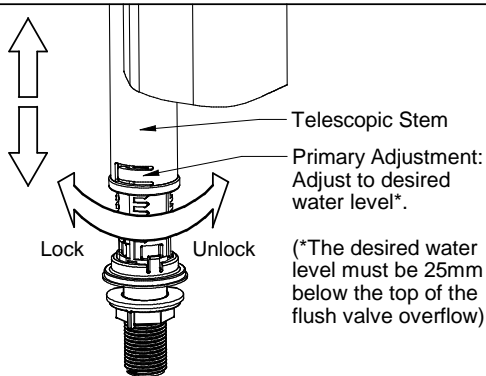
Place the white washer on the outside of the cistern. Fasten the backnut but do not overtighten.

Flush the main water line to remove dirt, flux and solder residue.

Connect water supply.

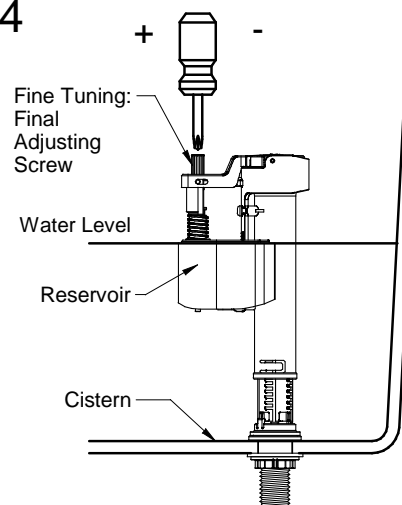


3



Adjust the valve height by turning the telescopic stem anti-clockwise to unlock. Move the valve up or down to the desired water level*. The top of the valve should not protrude above the cistern rim. Turn the telescopic stem clockwise to lock into place.

4



The water supply can now be turned on.

The desired water level* can be adjusted by turning the final adjusting screw clockwise or anti-clockwise to move the reservoir up or down to achieve the required level.



Dutton Plastics
ENGINEERING

A Division of the Zimco Group (Pty) Ltd.

Reg. No:1947/025245/07

14 Dienst Street ,Alrode Ext 2, Alberton
PO Box 145092, Bracken Gardens ,1452
Republic of South Africa

Head Office:

Tel: 011-617-5000

Fax: 011-864-2677

Branches:

Cape Town: 021-552-4460

Durban: 031-705-2533

Port Elizabeth: 041-373-0462

Website: www.duttonplastics.com