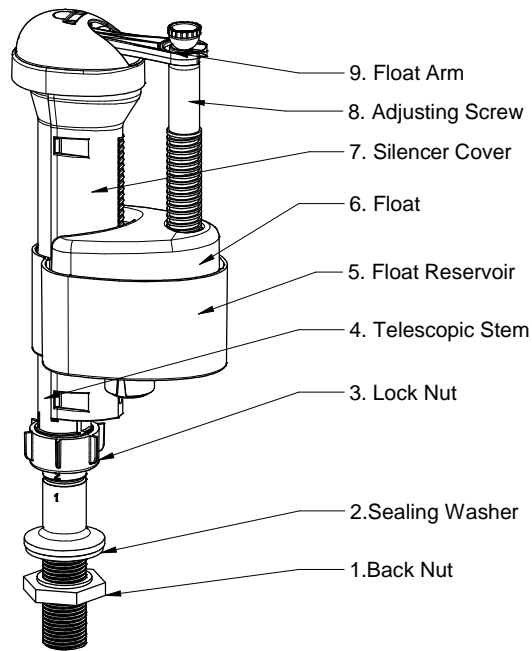
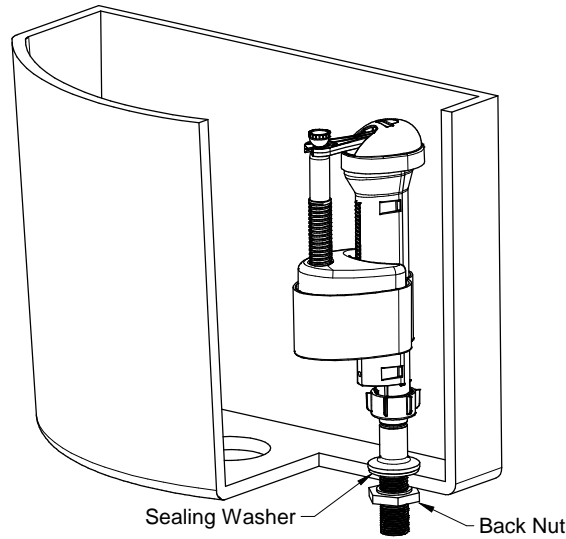


1



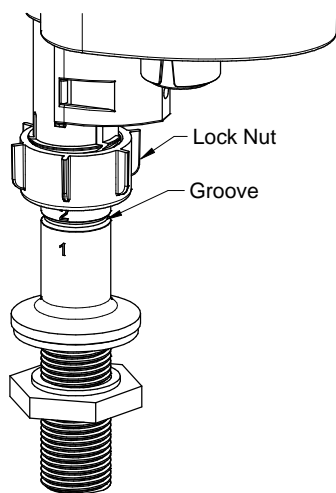
2



Insert valve into cistern with sealing washer on the inside of the cistern. **Do not use putty.** Position the valve, ensure the float is not in contact with the cistern & is able to move freely.

Fasten backnut but do not overtighten. Connect water supply.

3

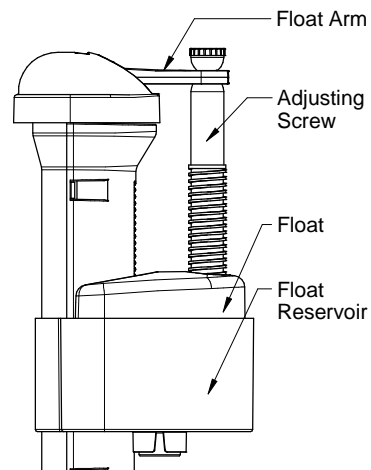


Adjust the valve height by loosening the locknut & moving the valve up or down to the desired height. The top of the valve should not protrude above the cistern rim.

Tighten the locknut, ensuring the telescopic stem is properly located & secure.

4

Flush the plumbing system to remove dirt, flux and solder residue. The water supply can now be turned on.



The desired water level can be adjusted by firmly moving the float reservoir up or down to achieve the required level and the float can be adjusted by screwing the adjusting rod in or out.