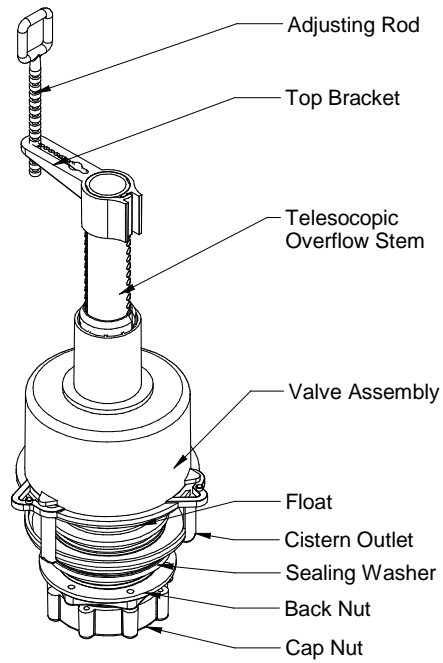
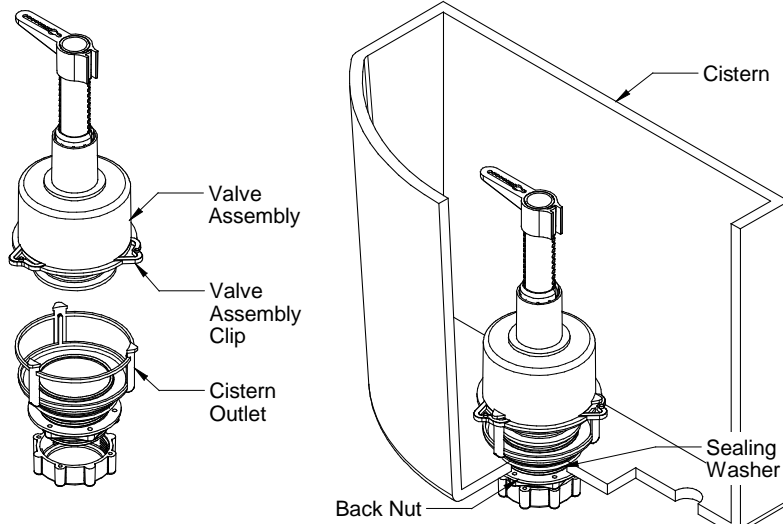


1



2

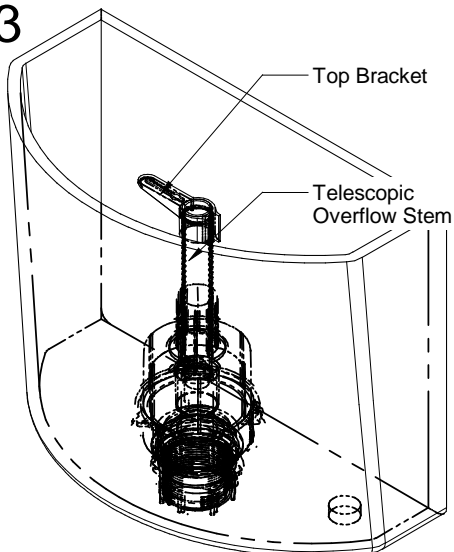


Fit the cistern outlet to the cistern, making sure the sealing washer is on the inside of the cistern.
Do not use putty.

Hand tighten the backnut. Do not overtighten.

Clip the valve assembly onto the cistern outlet & ensure it is secure.

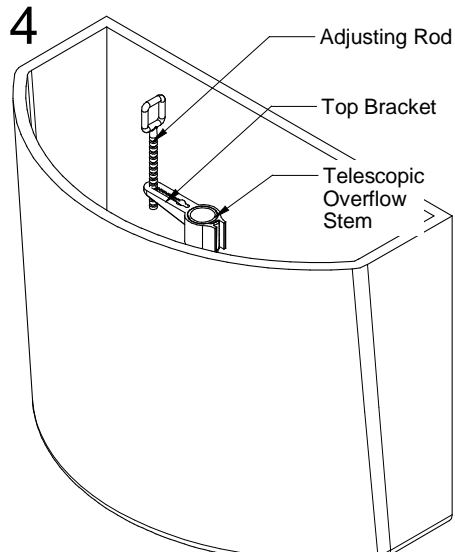
3



Fill the cistern to the desired volume.

Adjust the telescopic overflow stem by turning it clockwise to loosen. Move the overflow stem up or down until the underside of the top bracket touches the water.

4



Turn the overflow stem anti-clockwise to lock it.

Fit the adjusting rod to the top bracket.