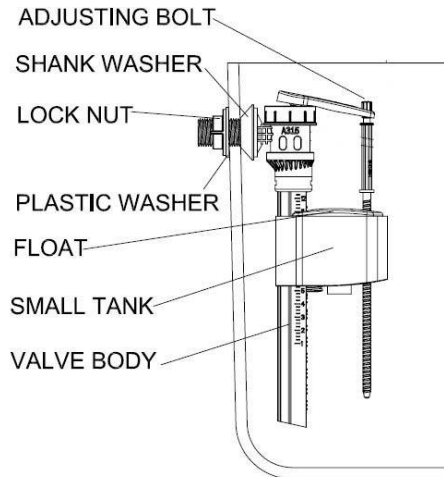


1

Fill Master: Side Inlet

Assembly & Parts list.

Working pressure up to 14 Bar.



2

Insert valve into cistern with sealing boot on the inside of the cistern.

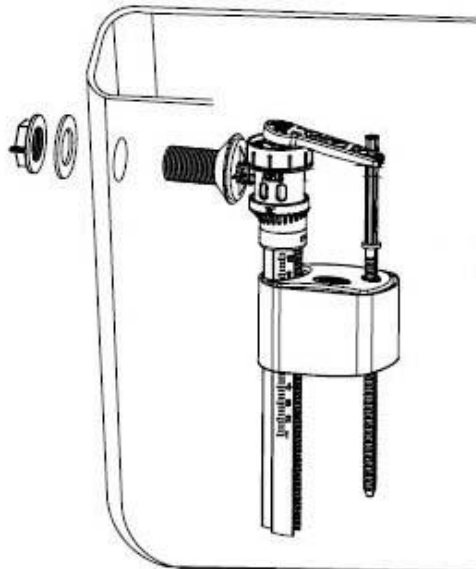
Do not use putty.

Position valve, ensuring the reservoir is not in contact with the cistern and is able to move freely.

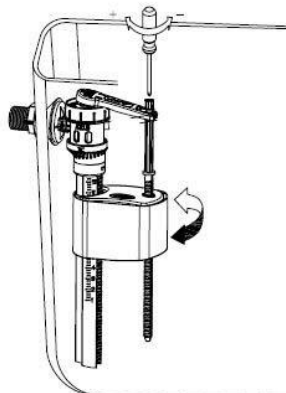
Place the white washer on the outside of the cistern. Fasten the backnut but do not overtighten.

Flush the main water line to remove dirt, flux and solder residue.

Connect water supply.



3



The water supply can now be turned on.

The desired water level* can be adjusted by turning the final adjusting screw clockwise or anti-clockwise to move the reservoir up or down to achieve the required level.