
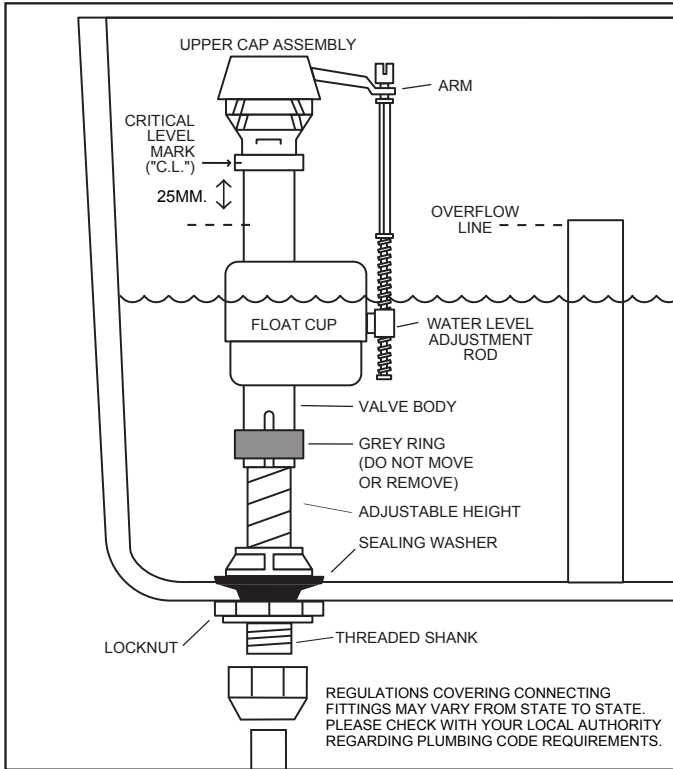


**⚠ WARNING**



DO NOT USE IN-CISTERN DROP-IN TOILET BOWL CLEANERS CONTAINING BLEACH OR CHLORINE. Use of such products will: (1) RESULT IN DAMAGE to cistern components and MAY CAUSE FLOODING and PROPERTY DAMAGE and (2) VOID FLUIDMASTER WARRANTY. DO NOT overtighten nuts or cistern/bowl may crack.



**IMPORTANT:** DO NOT use plumber's putty to seal this fitting.

**PLUMBER:** Please leave these instructions with your customer.

**CUSTOMER:** Instructions should be saved for future reference concerning this valve's operation and maintenance.

**CAUTION:** Operating pressure 100-1000 KPA. Where water pressures exceed 1000 KPA, a pressure reducing valve shall be fitted.

South Africa Representative:



A Division of the Zimco Group (Pty) Ltd.  
Reg. No:1947/025245/07

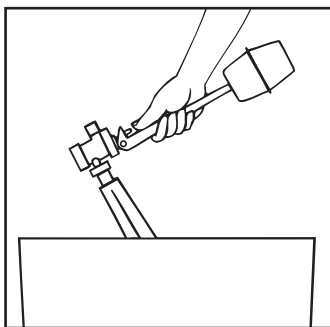
14 Dienst Street, Alrode Ext 2, Alberton  
PO Box 145092, Bracken Gardens, 1452  
Republic of South Africa

**Head Office:**

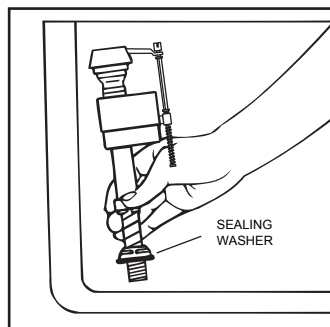
Tel: 011-617-5000 Fax: 011-864-2677

**Branches:**

Cape Town: 021-552-4460  
Durban: 031-705-2533  
Port Elizabeth: 041-373-0462  
Website: www.duttonplastics.co.za

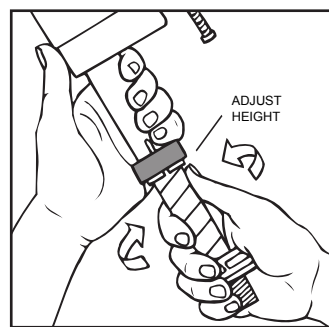


1. Turn off water supply to toilet cistern. Disconnect pipe work and remove old valve from toilet cistern.

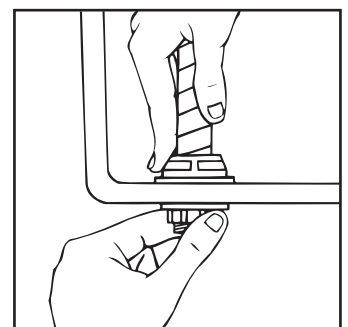


2. Place sealing washer on threaded shank and position valve in cistern, passing threaded shank through hole in cistern.

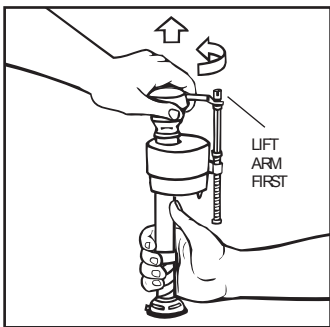
Before installing, adjust valve height. See Step 3.



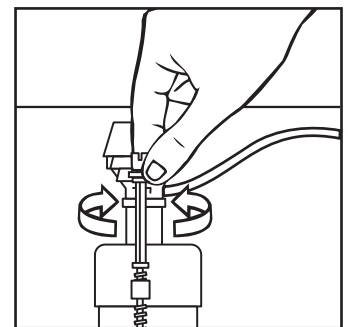
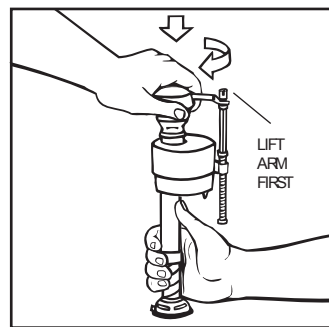
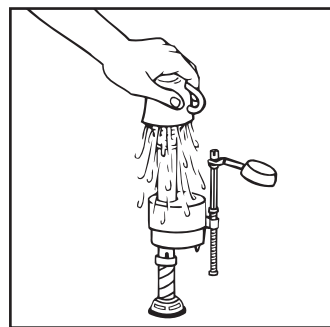
3. To adjust valve height, remove it from cistern. Twist threaded shank in or out of valve body without moving grey ring (height adjusts from 225mm. to 350mm. – the clicking noise heard is normal).  
NOTE: Adjust height so that the critical level mark (marked "C.L.") on the valve body is at least 25mm. ABOVE the overflow outlet in the cistern.



4. Position valve inside cistern and push down on the valve shank. Thread the locknut. Hand tighten only DO NOT OVERTIGHTEN or cistern may crack. Reconnect water supply to valve. Hand tighten nut. DO NOT OVERTIGHTEN or cistern may crack. Make sure float moves up and down freely. **IMPORTANT:** See over for supply tube installation.



5. **IMPORTANT:** SAND AND RUST MOVE THROUGH WATER PIPES. ALWAYS CLEAR DEBRIS FROM WATER LINE TO COMPLETE INSTALLATION.  
Turn off water at supply. Remove valve cap assembly by lifting arm to horizontal position, while pressing down slightly on cap, rotate both cap and arm 1/8 anti-clockwise. While holding a container over the uncapped valve to prevent splashing, turn water supply on and off a few times. Replace cap assembly by engaging lugs and rotating 1/8 turn clockwise. **MAKE CERTAIN THE CAP IS TURNED TO THE LOCKED POSITION. VALVE MAY NOT TURN ON IF THE CAP IS NOT FULLY TO THE LOCKED POSITION.**



6. Turn on water supply. Submerge the FLOAT CUP under the water for 30 seconds. Adjust the water to desired level by turning WATER LEVEL ADJUSTMENT ROD and moving FLOAT CUP up or down. Water level should be set approximately 25mm. below overflow outlet or to water line on cistern.