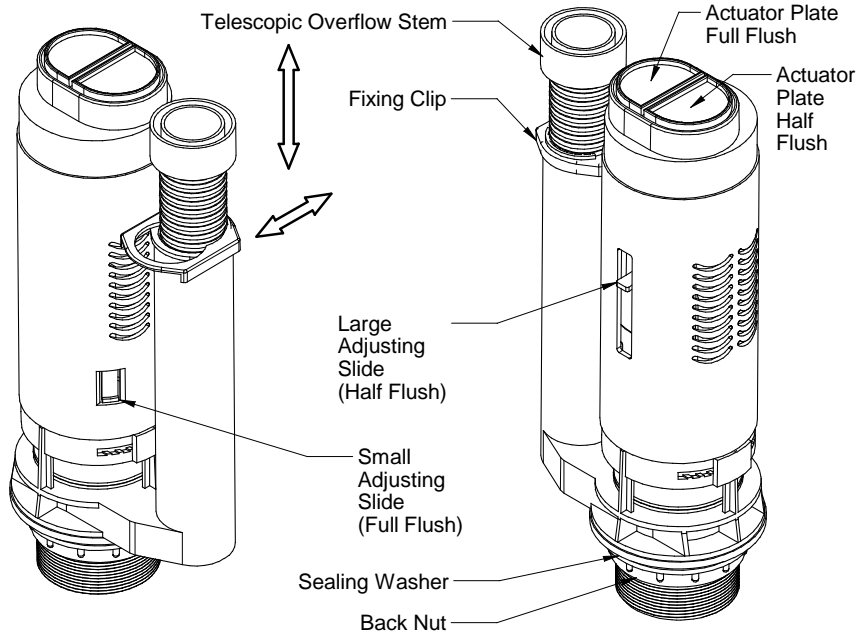


1



2

Fit the flush valve to the cistern, making sure the sealing washer is on the inside of the cistern.

Do not use putty.

Hand tighten the backnut. Do not overtighten.

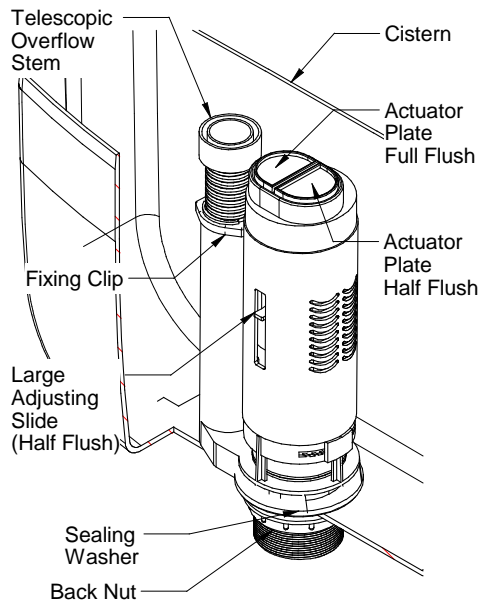
Fill the cistern to the desired volume.

Adjust the telescopic overflow stem by sliding the fixing clip into the unlock position. Move the overflow stem up or down until the top of the stem is 25mm above the water level.

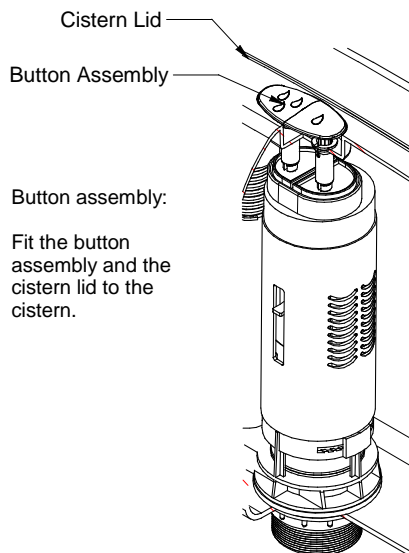
Slide the fixing clip back into the locked position.

Adjust the full flush volume with the small adjusting slide. Up for less volume, down for more volume.

Adjust the half flush volume with the larger adjusting slide. Up for less volume, down for more volume.



3



Button assembly:

Fit the button assembly and the cistern lid to the cistern.

4

Make sure the buttons correspond to the correct actuator plates on the flush valve.

(Button marked with 1 droplet is half flush and button marked with 3 droplets is full flush)

